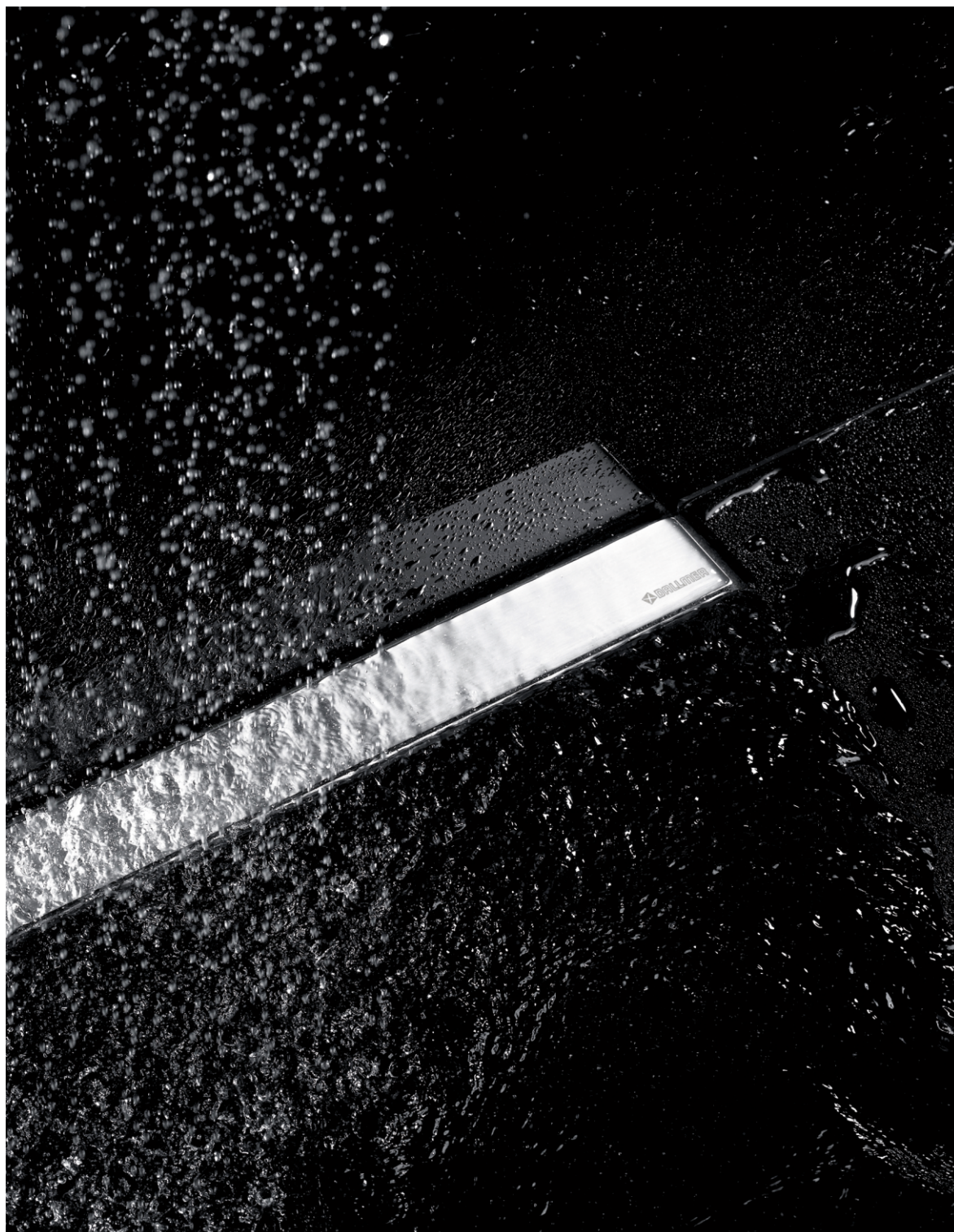


Floor channel CeraLine W



DALLMER

Important notes

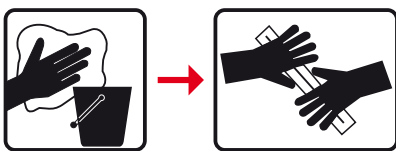
The relevant processing guidelines of all trades involved must be considered!

Note: Bonded waterproofings are to be executed according to DIN 18534 - Interior waterproofing. The connection to the drainage system / sealing collar has to be made according to the installation constructions of the company Dallmer GmbH + Co.KG.

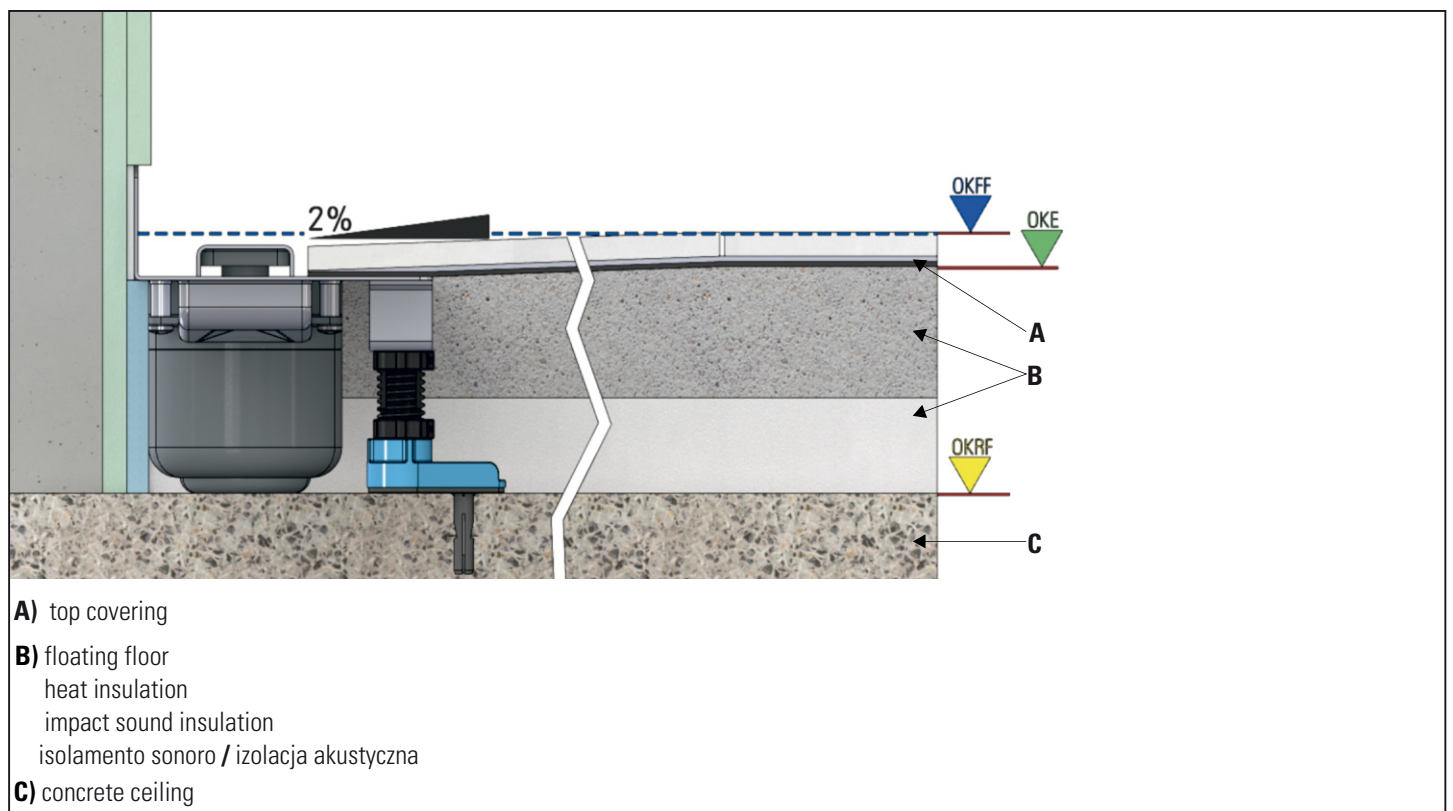
The natural stone must be suitable for use in level access showers or be protected against moisture penetration by appropriate measures!

All technical data of the installation manual has been prepared with care, subject to subsequent corrections of obvious errors.

Note: Compliance with this installation recommendation is required for a warranty claim based on our sales and delivery conditions.



Hand over the cleaning and care instructions to the client



OKFF

OKFF is the German abbreviation for the upper edge of the finished floor. (officially: finished floor level).

OKE

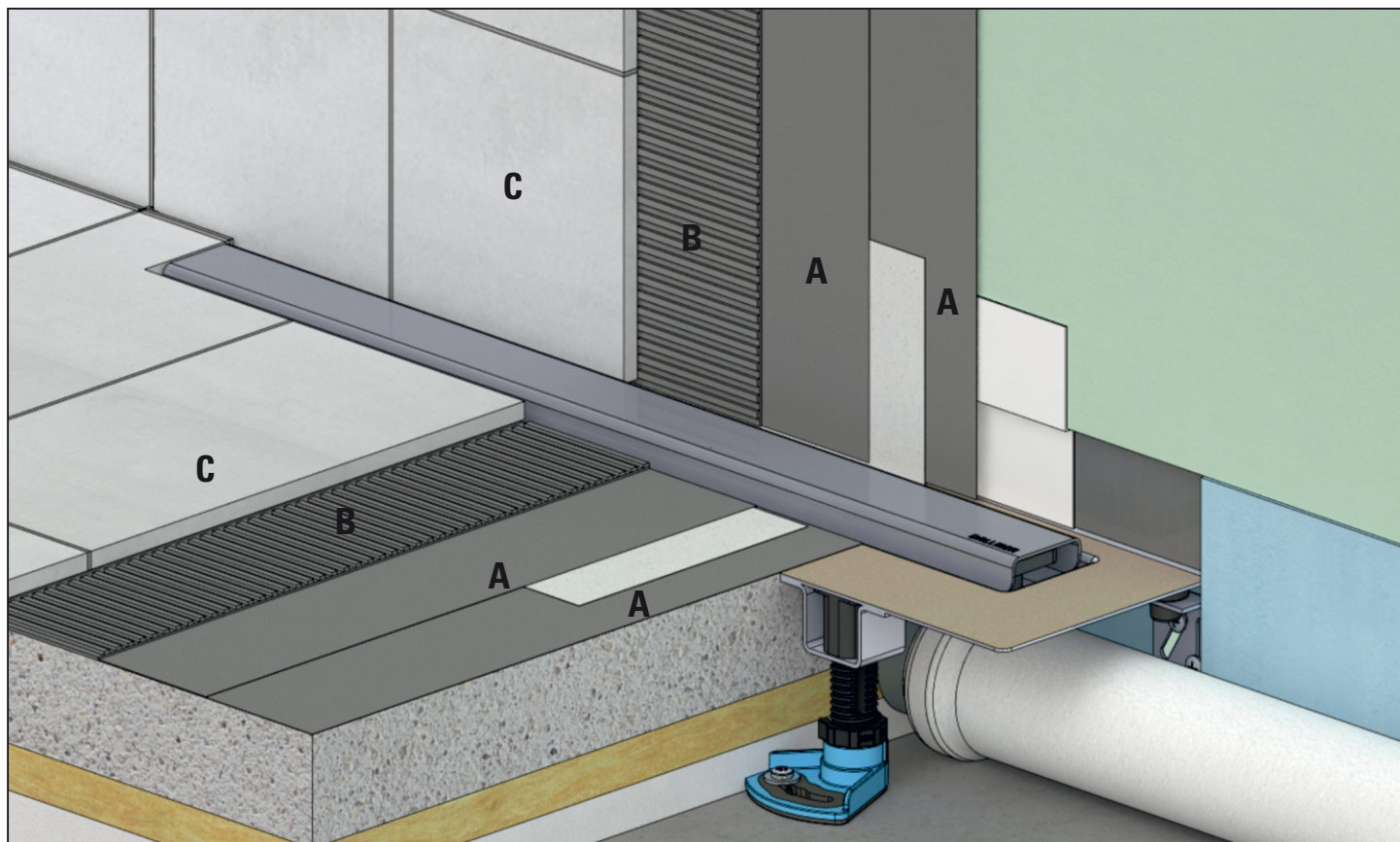
is the German abbreviation for: the upper edge of the screed

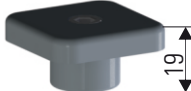
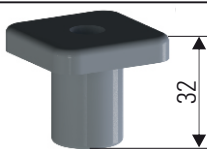
OKRF

OKRF is the German abbreviation for: the upper edge of the unfinished floor surface, e.g. the concrete surface.

Floor covering

- A)** Combination sealing
- B)** Adhesive layer
- C)** Floor covering



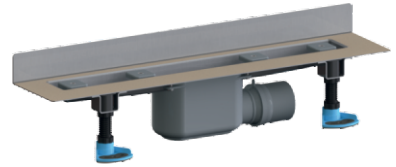
Cover plates	included 	accessories  523976
Covering	Tile	Natural stone
Floor covering	A + B + C 2 mm* - 27 mm**	A + B + C 13 mm* - 40 mm**
Standard*	2 - 14 mm	13 - 27 mm
Design	3 - 17 mm	16 - 30 mm
Individual**	13 - 27 mm	26 - 40 mm
Glass	6 - 20 mm	19 - 33 mm

Flow rate

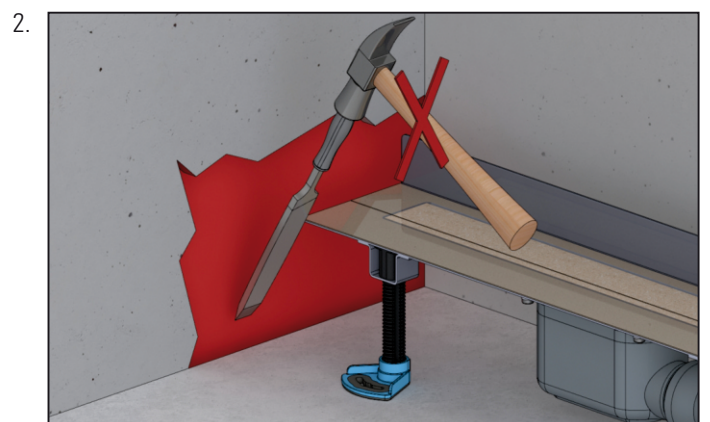
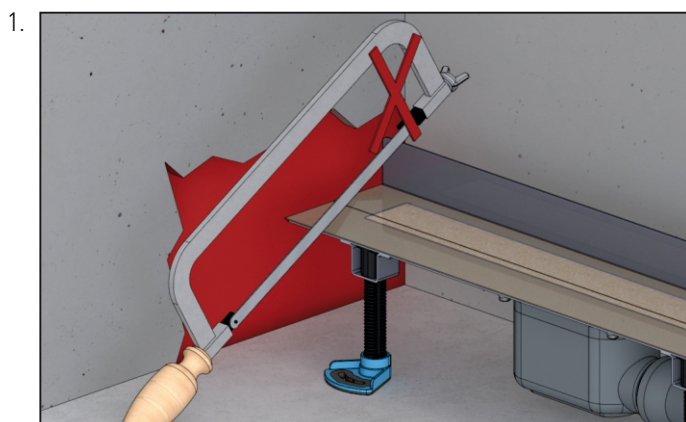
CeraLine F

Flow rate testet to DIN EN 1253 (with 20 mm water over grate)

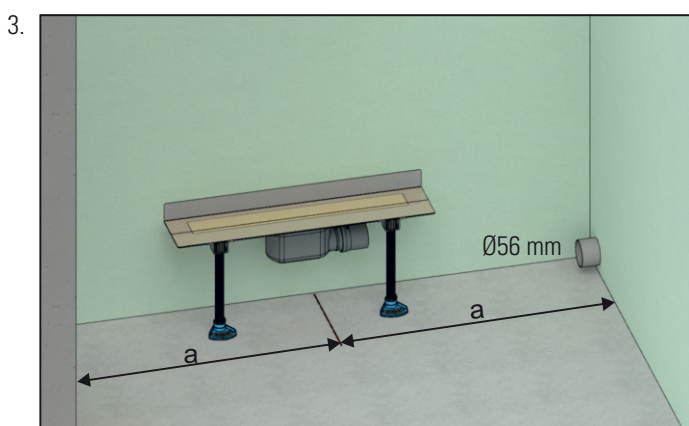
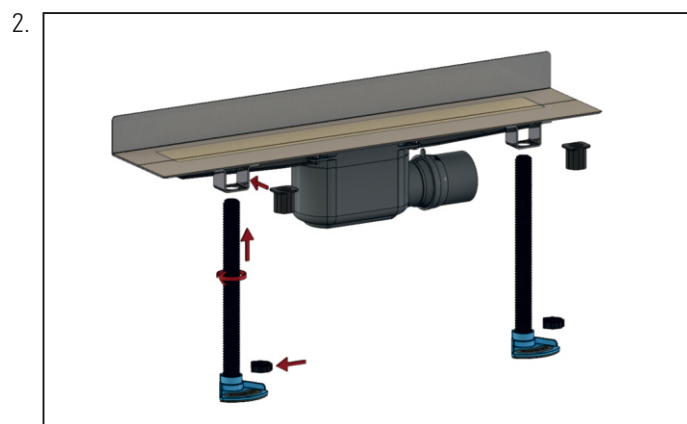
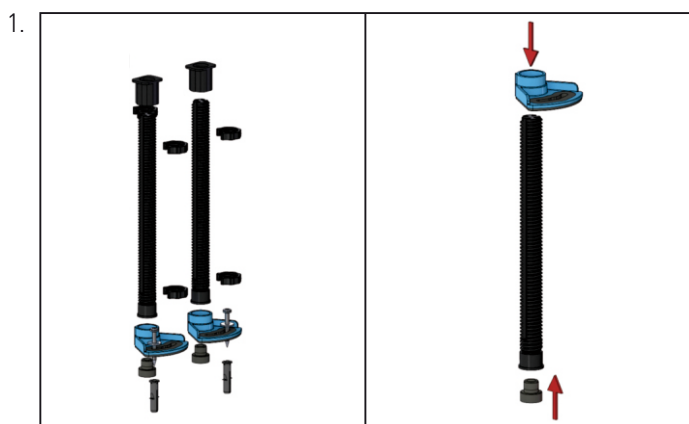
	Required	Dallmer
DN 50	0,8 l/s	0,78 / 0,84 l/s



Important notes

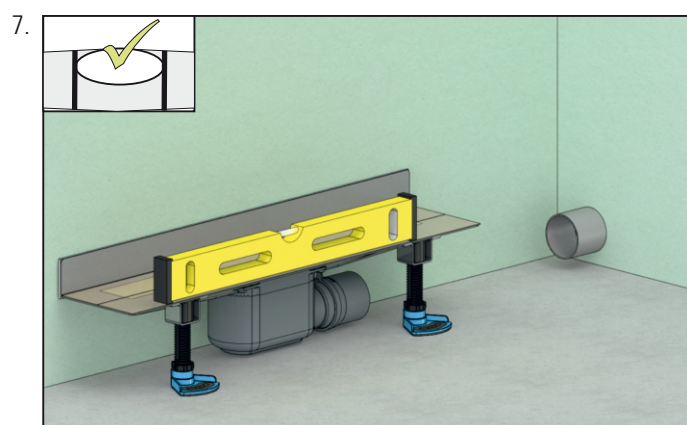
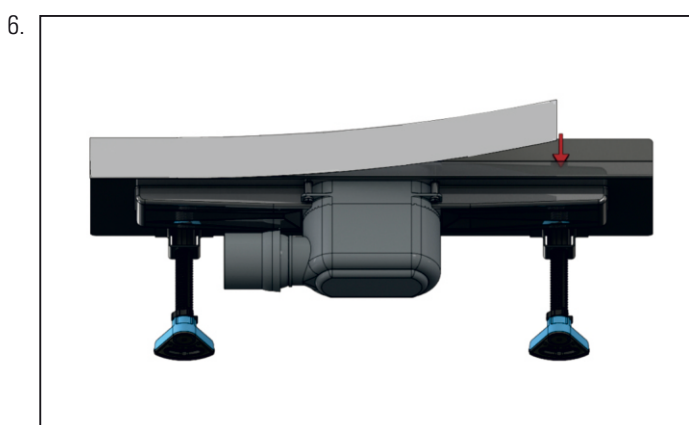
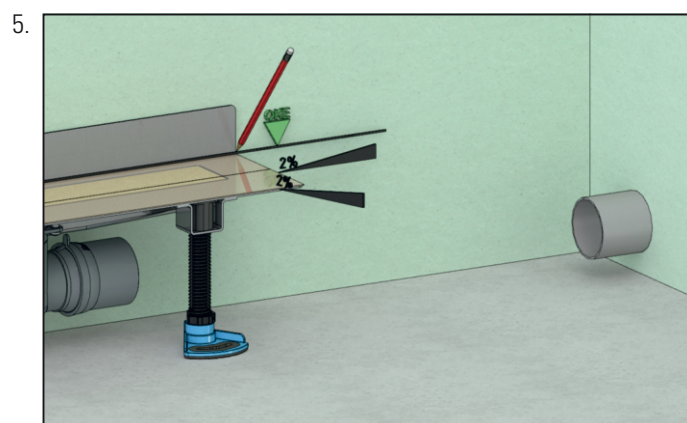
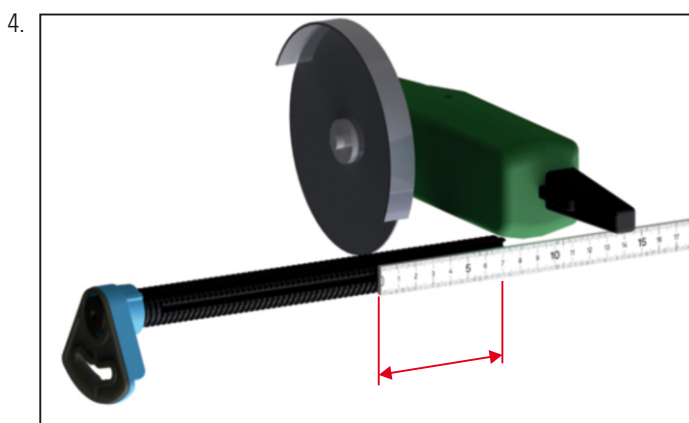


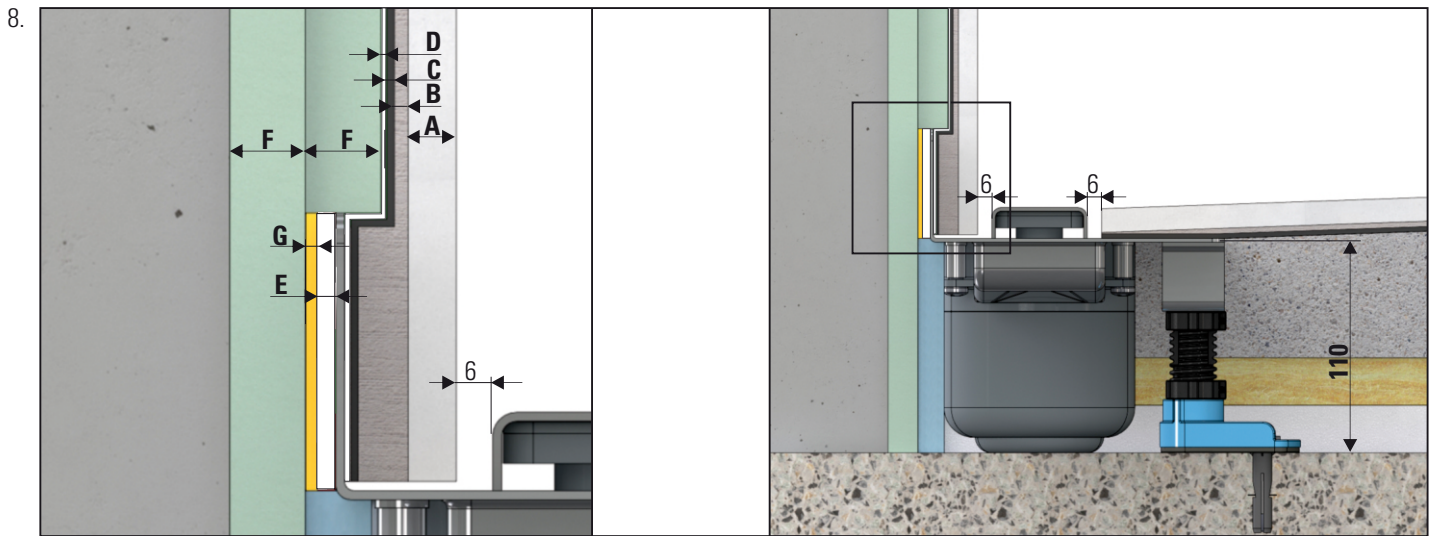
Installation



OKE

with 2% down slopes, see page 4

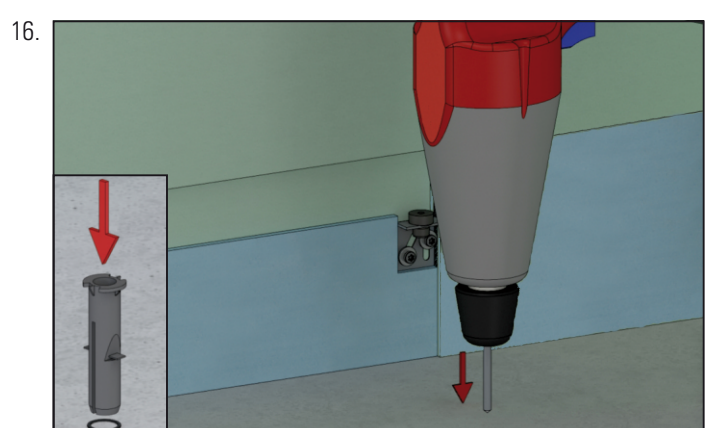
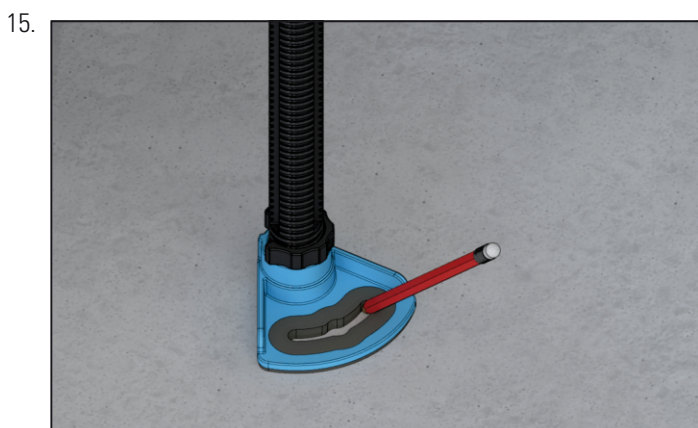
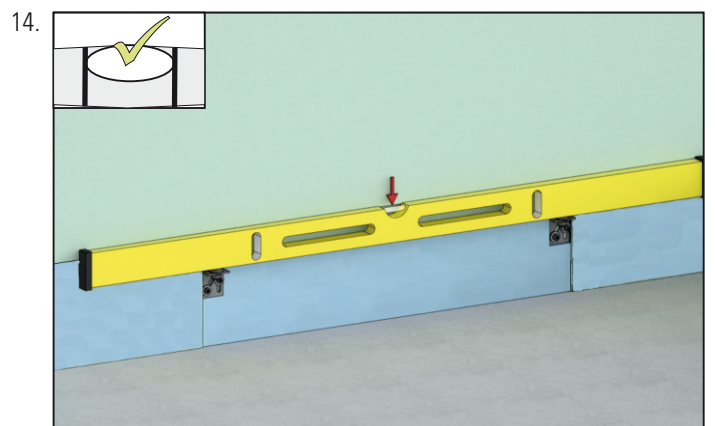
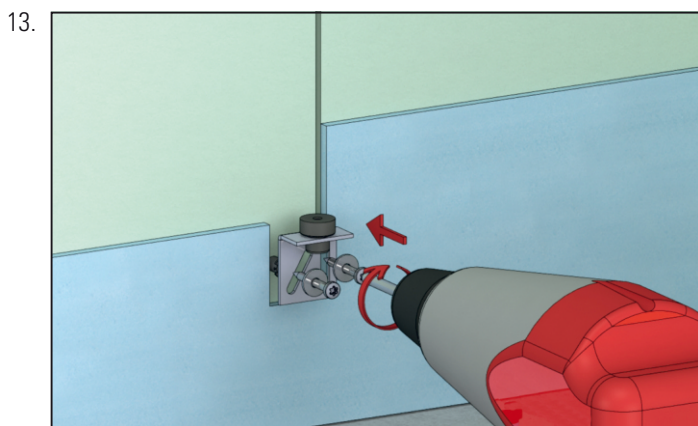
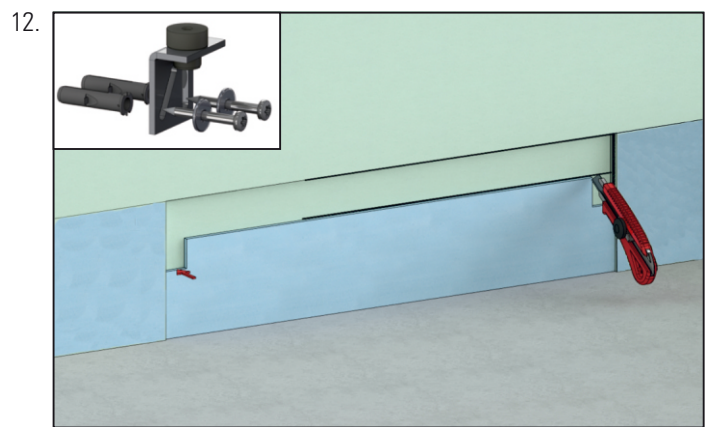
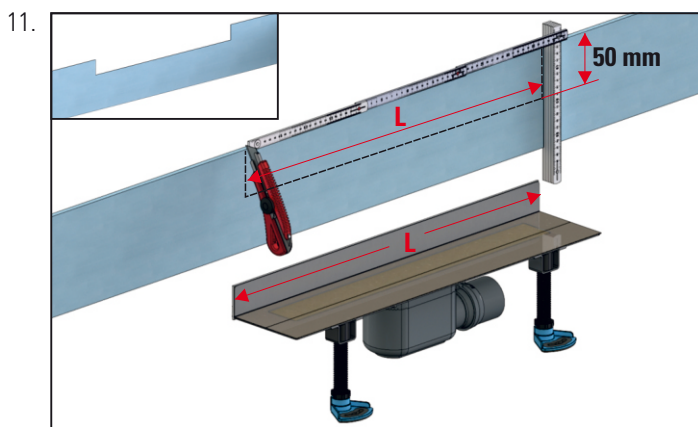
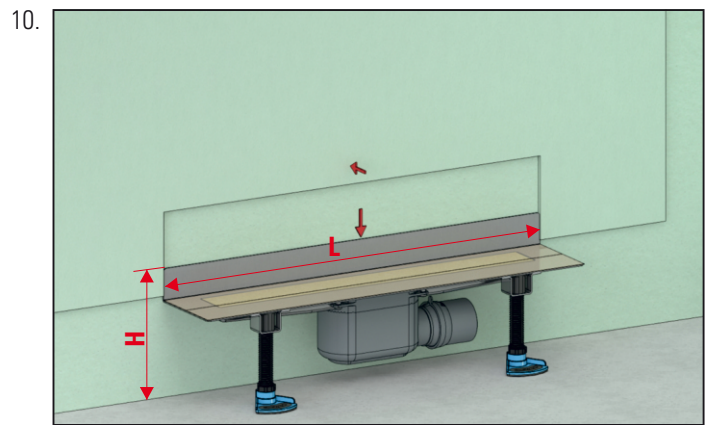
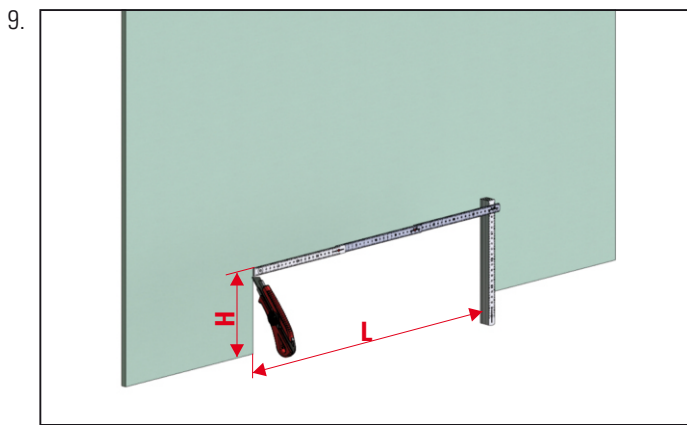




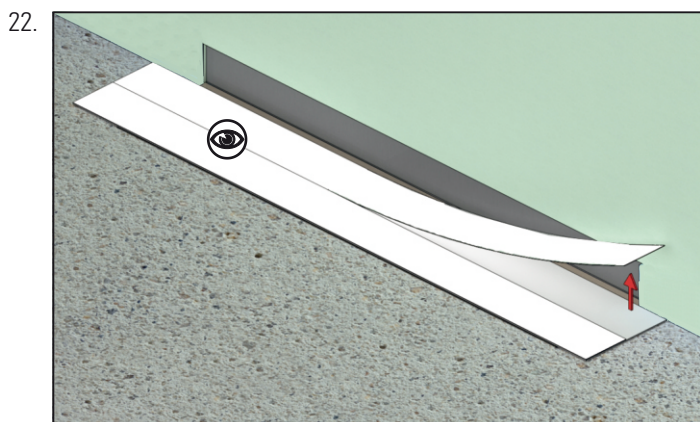
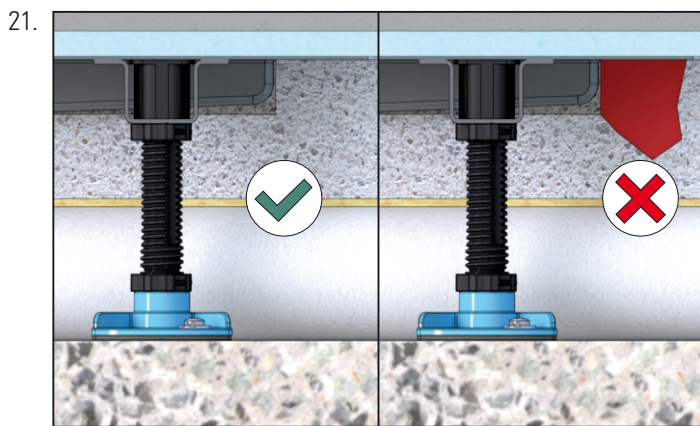
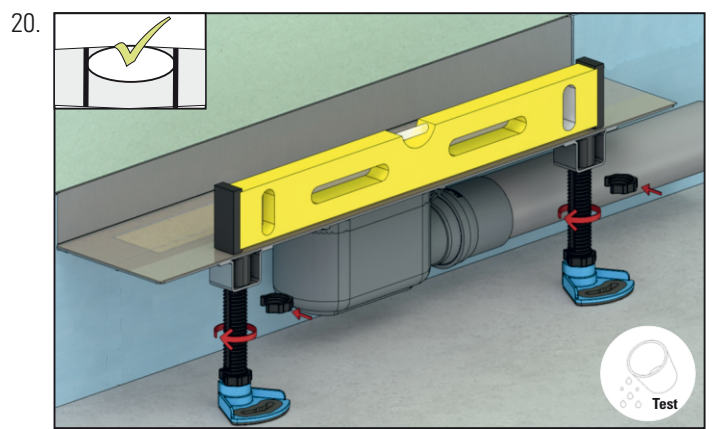
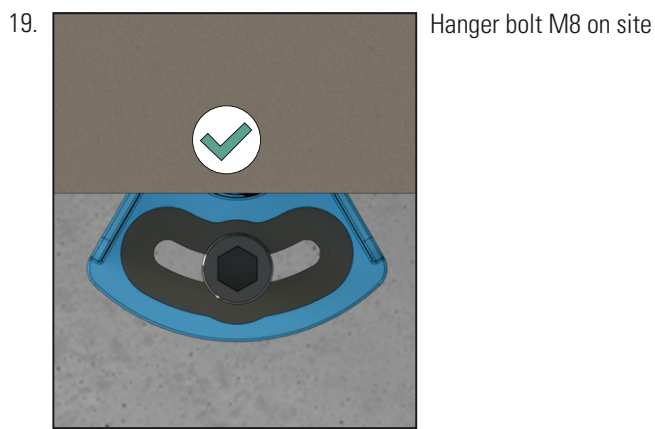
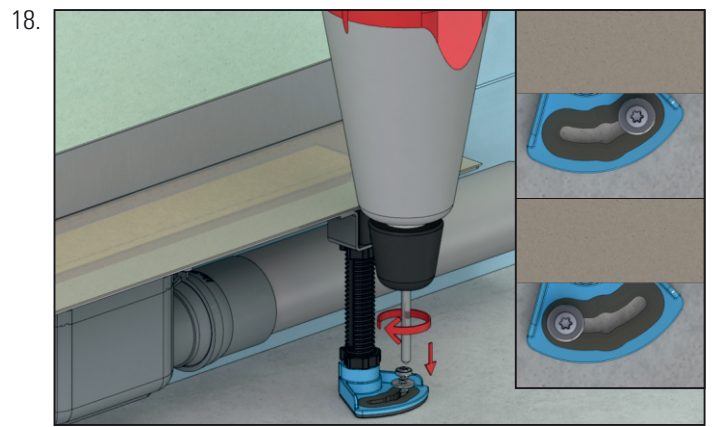
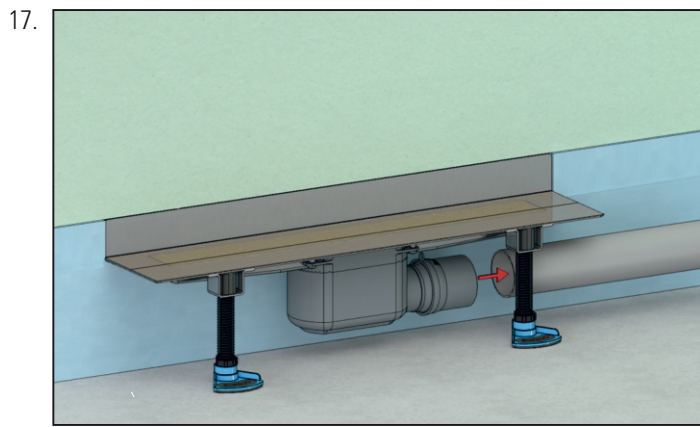
A) Floor covering	6,0 mm / 8 mm / 10 mm
B) Adhesive layer	3,0 mm
C) Combination sealing	2,0 mm
D) Butyl tape	1,0 mm
E) Sound insulation tape	3,0 mm
F) Removal plate	12,5 mm
G) On-site lining	0,0 mm / 2 mm / 4 mm

When built in with sound-insulating pad CeraLine (part no. 520869) according to approval P-BA 221/2008 (CeraLine W) or P-BA 53/2013 (CeraLine Plan W) suitable to fulfill the extended standards of DIN 4109 and VDI 4100.

Installation

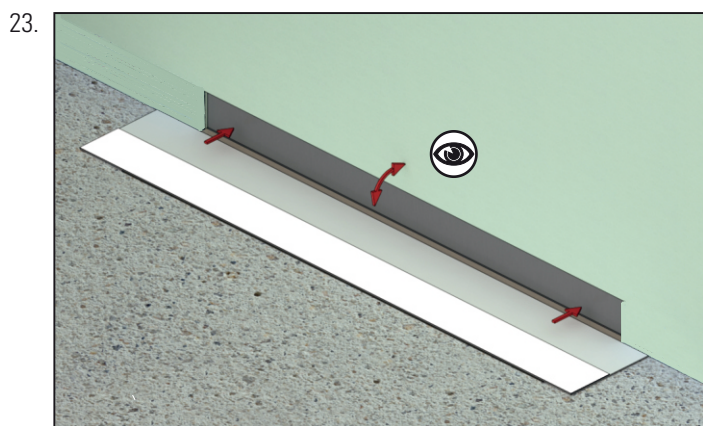


Installation

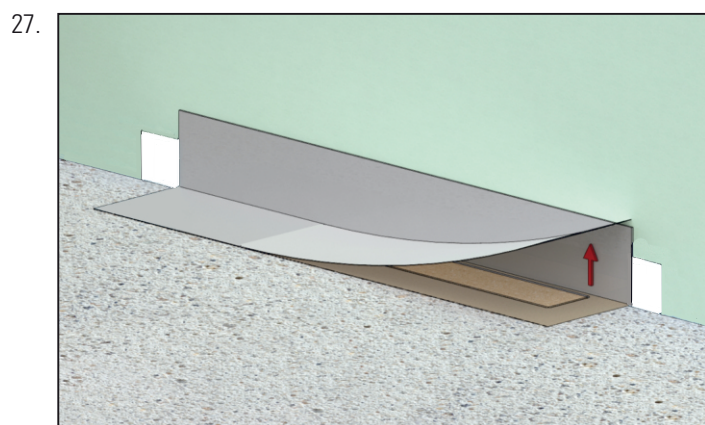
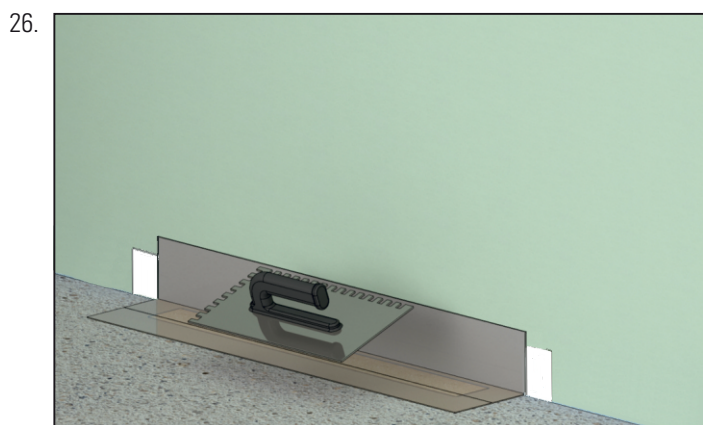
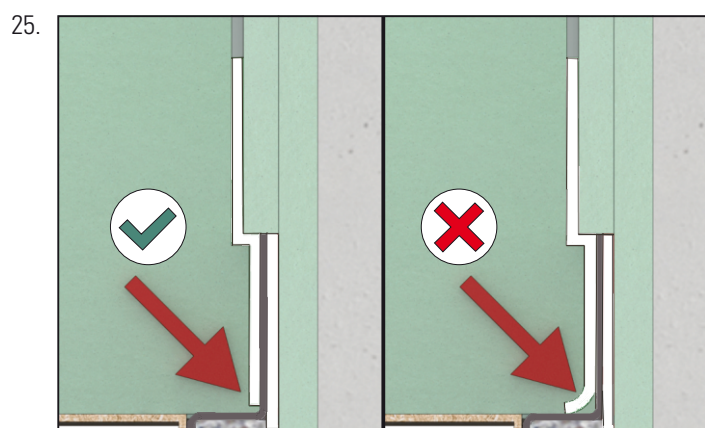
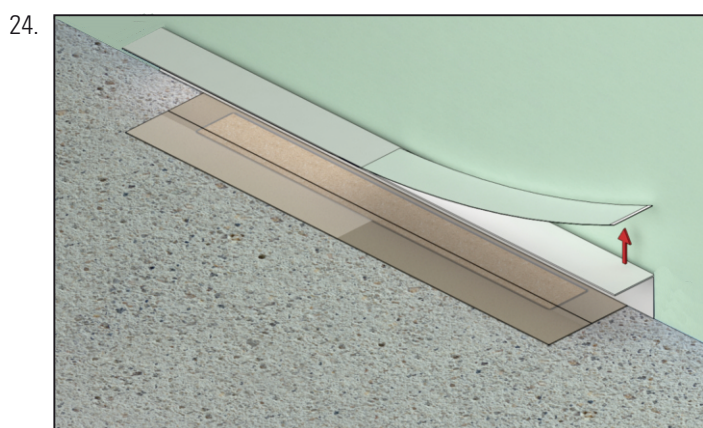


press firmly into place, without air-bubbles

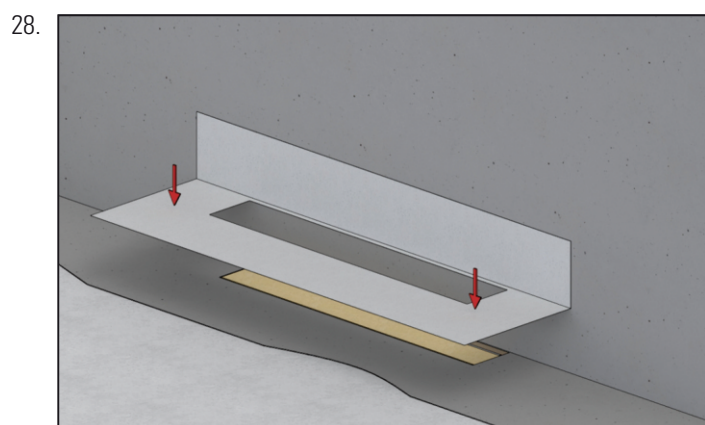
Installation



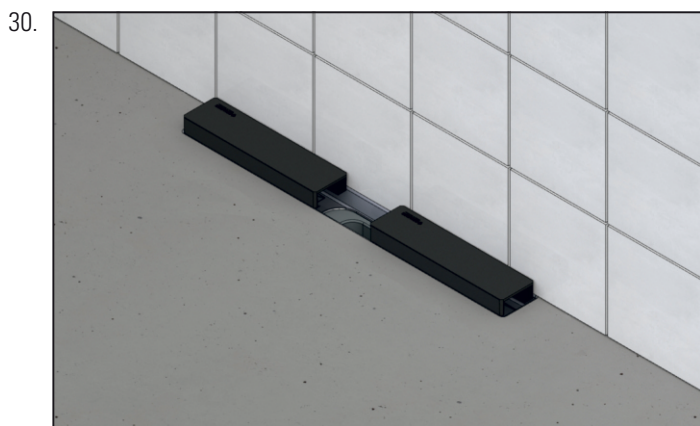
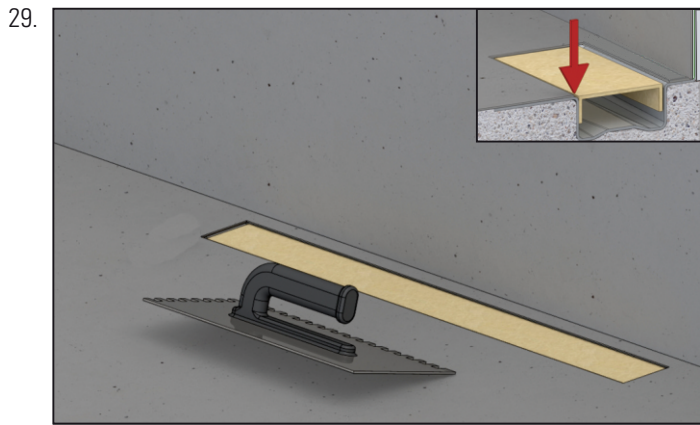
Surfaces dust-free



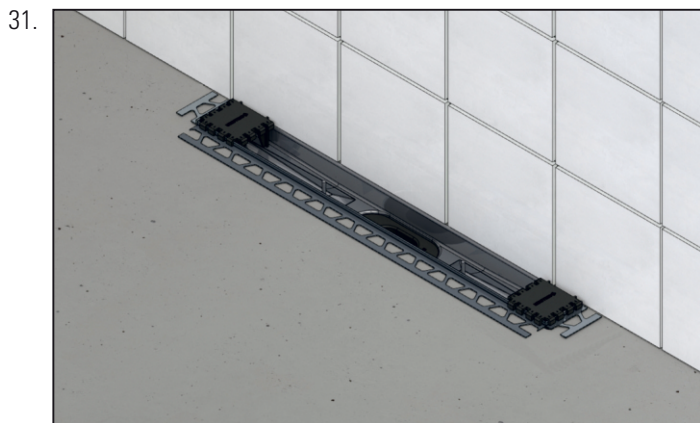
Waterproofings are to be executed according to DIN 18534



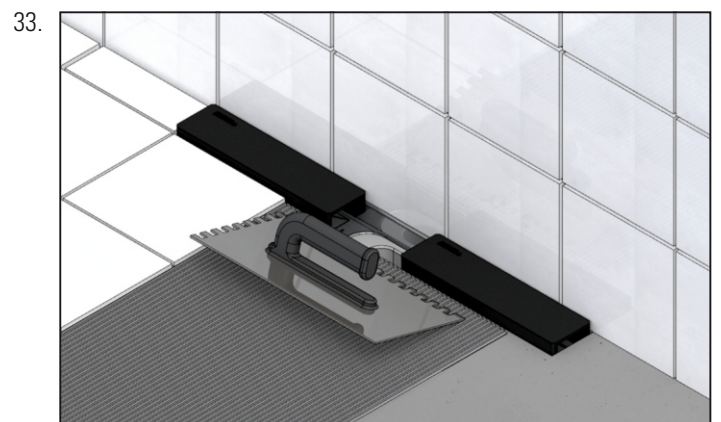
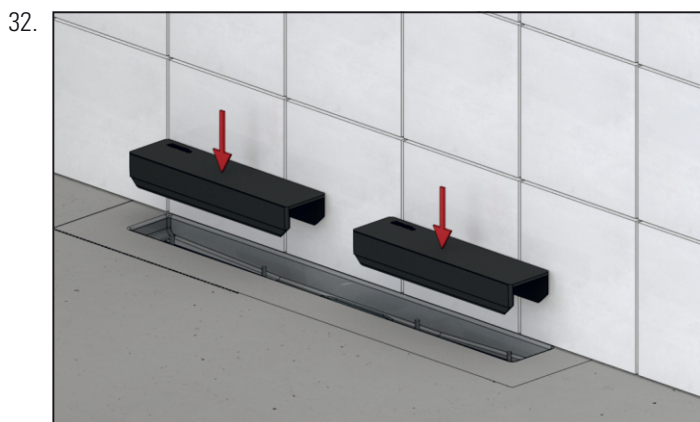
Installation



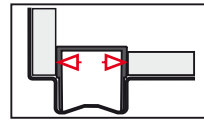
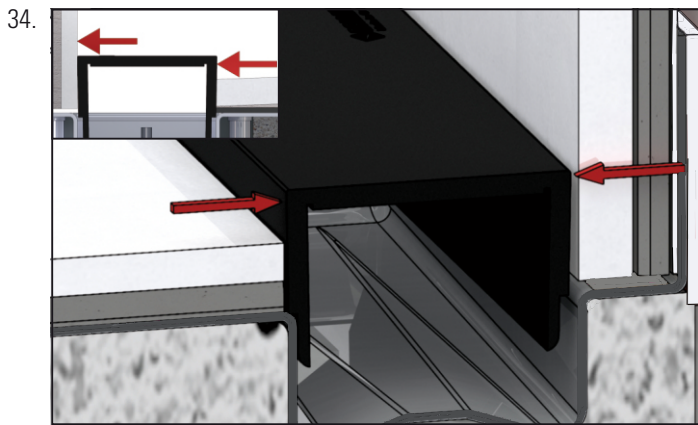
Installation fig. 32 - 34



Installation fig. 35 - 37



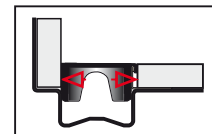
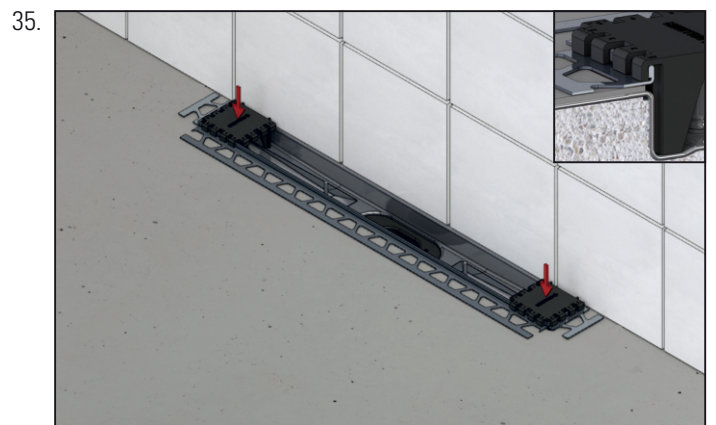
Installation



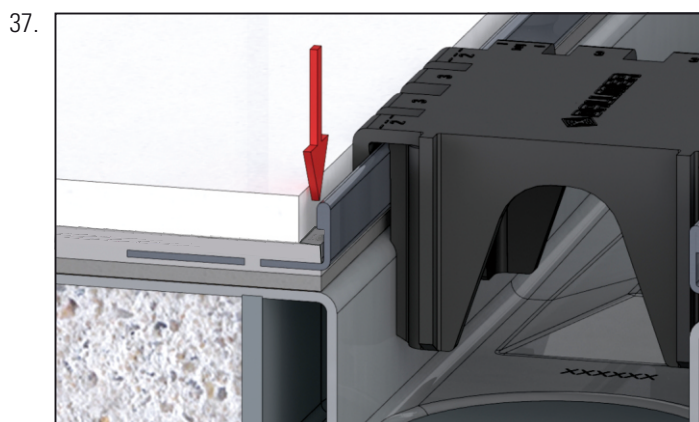
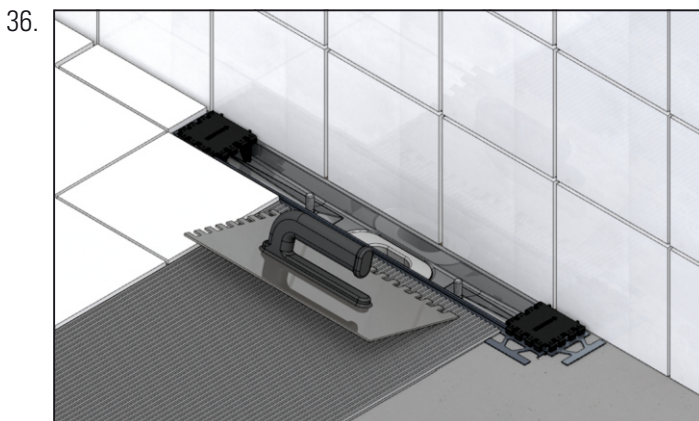
It is absolutely necessary to lay the tiles flush up to the tiling gauges!



on site

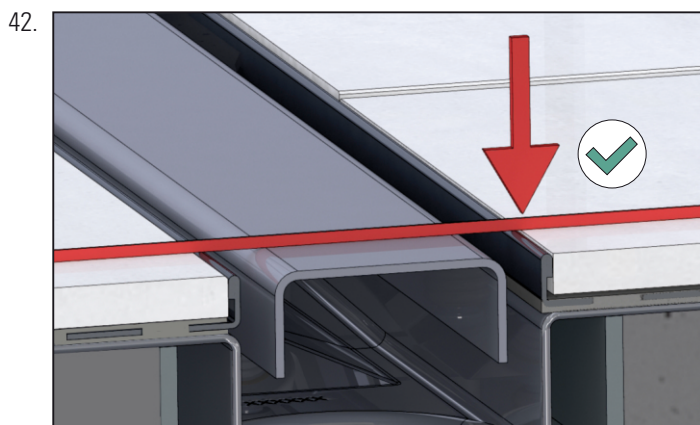
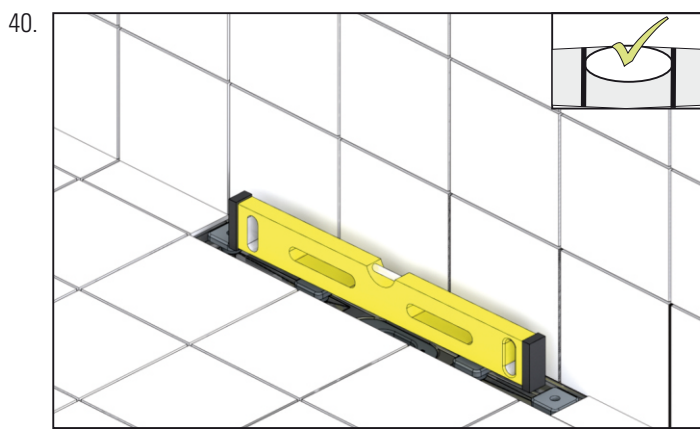
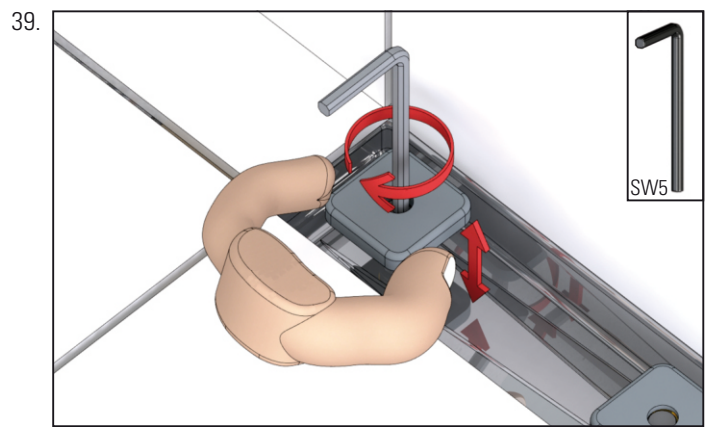
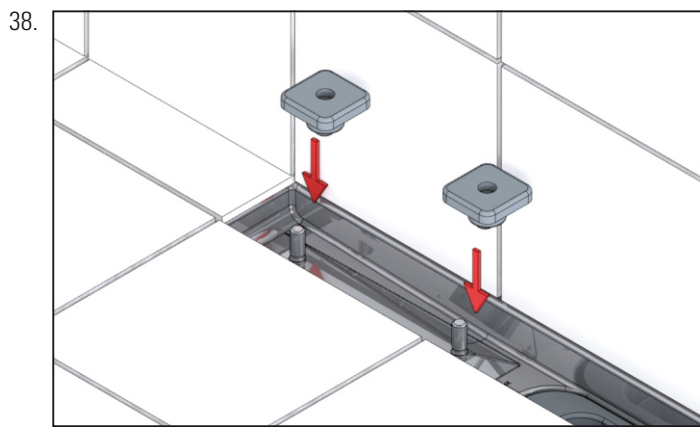


It is absolutely necessary to lay the tiles flush up to the edge trim jigs!

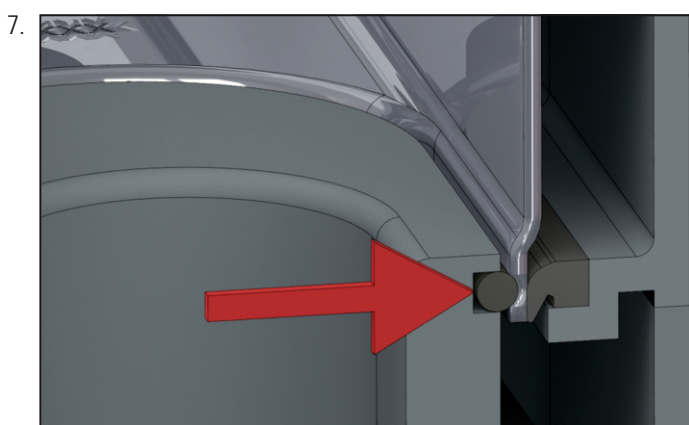
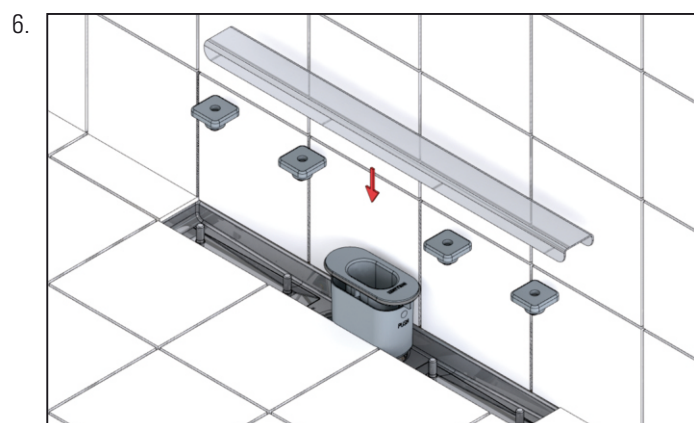
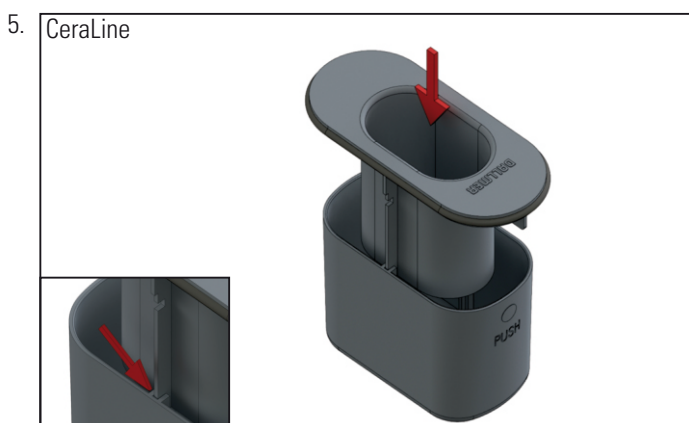
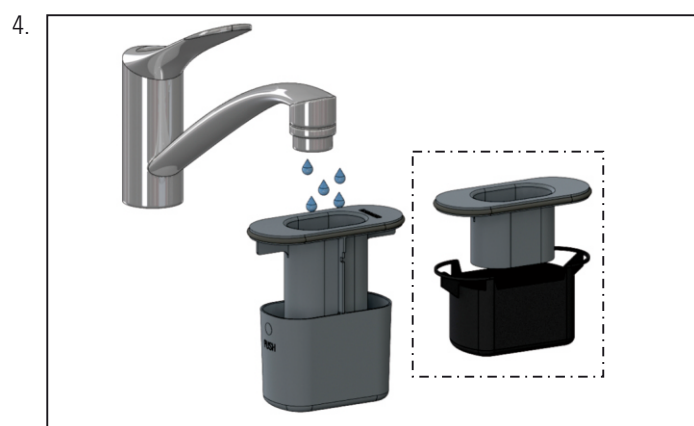
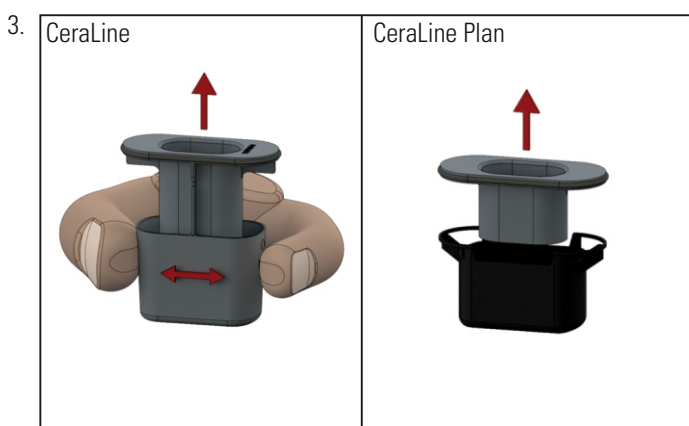
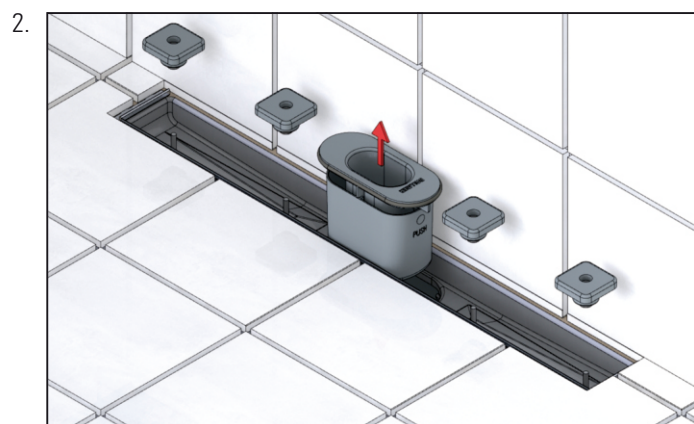
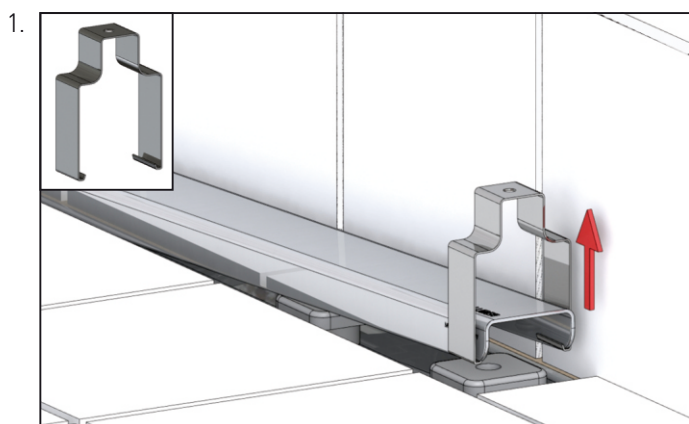


Close the joint with cement-based jointing mortar or with elastic joint filler

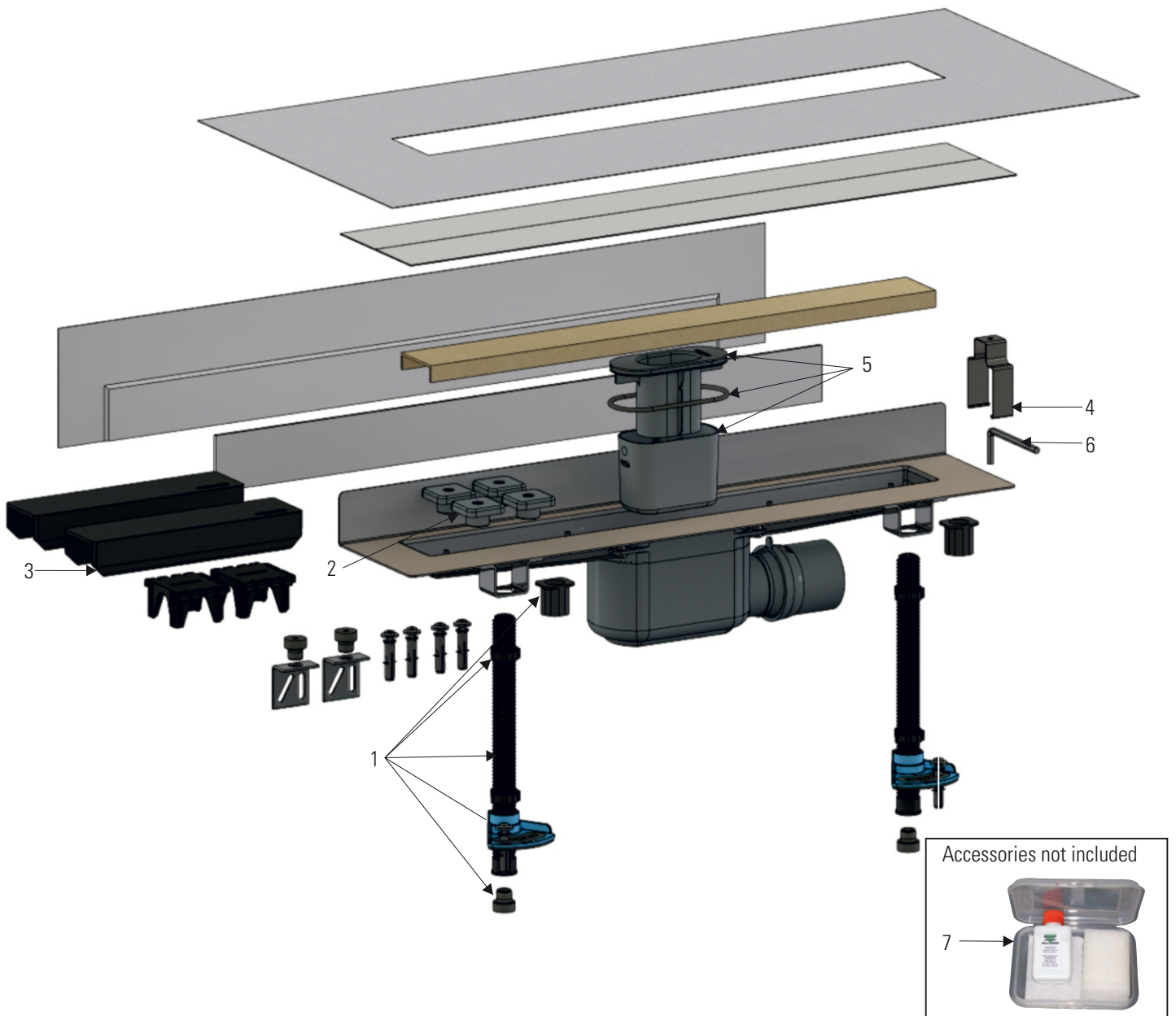
Installation cover plates



Cleaning and care



Spare parts and accessories



1	Height adjustable levelling legs	521033	
2	Height adjustable screws II	523983 (19 mm)	523976 (32 mm Natural stone)
3	Tiling gauge	521064	
4	Service key	521088	
5	Trap insert	520845	520791 / Plan
6	Allen key Sw5	524874	
7	Cleaning kit for stainless steel	520494	

Dallmer GmbH + Co. KG
Wiebelsheidestraße 25
59757 Arnsberg
Germany

T +49 2932 9616 - 0
F +49 2932 9616 - 222
E info@dallmer.de
W www.dallmer.com

DALLMER